

3D VIEW

**Notes:**

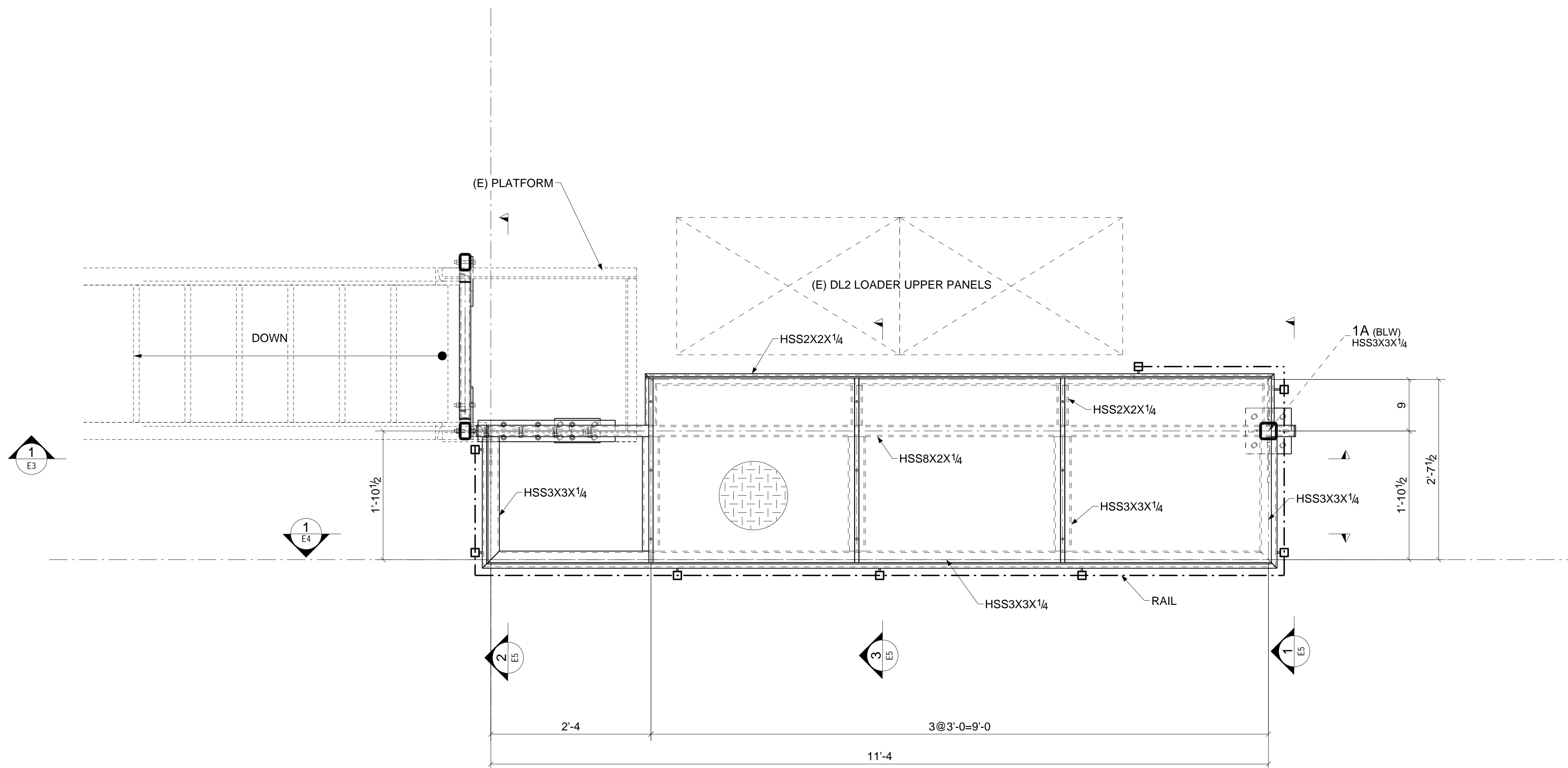
1. Welding Electrodes: E70XX Low Hydrogen
2. Surface Prep: SSPC SP-2
3. Shop Primer: Minimum DFT=2.0 Mil

THE INFORMATION CONTAINED IN THIS DRAWING IS CONFIDENTIAL AND PROPRIETARY TO MARTIN'S METAL FABRICATION. ANY REPRODUCTION IN PART OR WHOLE WITHOUT THE WRITTEN PERMISSION OF MARTIN'S METAL FABRICATION IS PROHIBITED.

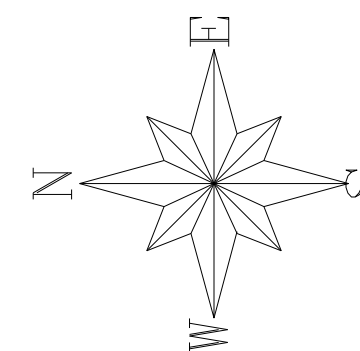
NO.	BY	APP'D	DATE	DESCRIPTION
A			12/16/2021	For Approval
0			12/22/2021	For Field Use
1			01/04/2022	PER NEW DESIGN & APPROVAL

TOLERANCES ARE IN INCHES, UNLESS OTHERWISE SPECIFIED  
 FRACTIONS: ± 1/16"  
 DECIMALS:  
 .XX ± .015  
 .XXX ± .005  
 .XXXX ± .0005  
 ANGLES: ± 1°

<b>MARTIN'S METAL FABRICATION</b>					
STRUCTURAL STEEL DIVISION VACAVILLE CA.					
DWG:	MF	12/16/2021	QTY RECD:	SCALE:	
CHK:	AS	12/22/2021	MATL:		
PRIMER:					
TITLE: DL2 ACCESS PLATFORM EXTENSION					
PROJECT ADD. DESCRIPTION: 3D VIEW					
SIZE: A	DWG NO:	E1		JOB No. 210468	
SHT	OF	REV	1		



**FRAMING PLAN (TOS EL 8'-11 1/4)**  
(REF: 1/S-100)



**Notes:**

1. Welding Electrodes: E70XX Low Hydrogen
2. Surface Prep: SSPC SP-2
3. Shop Primer: Minimum DFT=2.0 Mil

THE INFORMATION CONTAINED IN THIS DRAWING IS CONFIDENTIAL AND PROPRIETARY TO MARTIN'S METAL FABRICATION. ANY REPRODUCTION IN PART OR WHOLE WITHOUT THE WRITTEN PERMISSION OF MARTIN'S METAL FABRICATION IS PROHIBITED.

NO.	BY	APP'D	DATE	DESCRIPTION
A			12/16/2021	For Approval
0			12/22/2021	For Field Use
1			01/04/2022	PER NEW DESIGN & APPROVAL

TOLERANCES ARE IN INCHES, UNLESS OTHERWISE SPECIFIED  
 FRACTIONS: ± 1/16"  
 DECIMALS:  
 .XX ± .015  
 .XXX ± .005  
 .XXXX ± .0005  
 ANGLES: ± 1°

**MARTIN'S METAL FABRICATION**

STRUCTURAL STEEL DIVISION  
VACAVILLE CA.

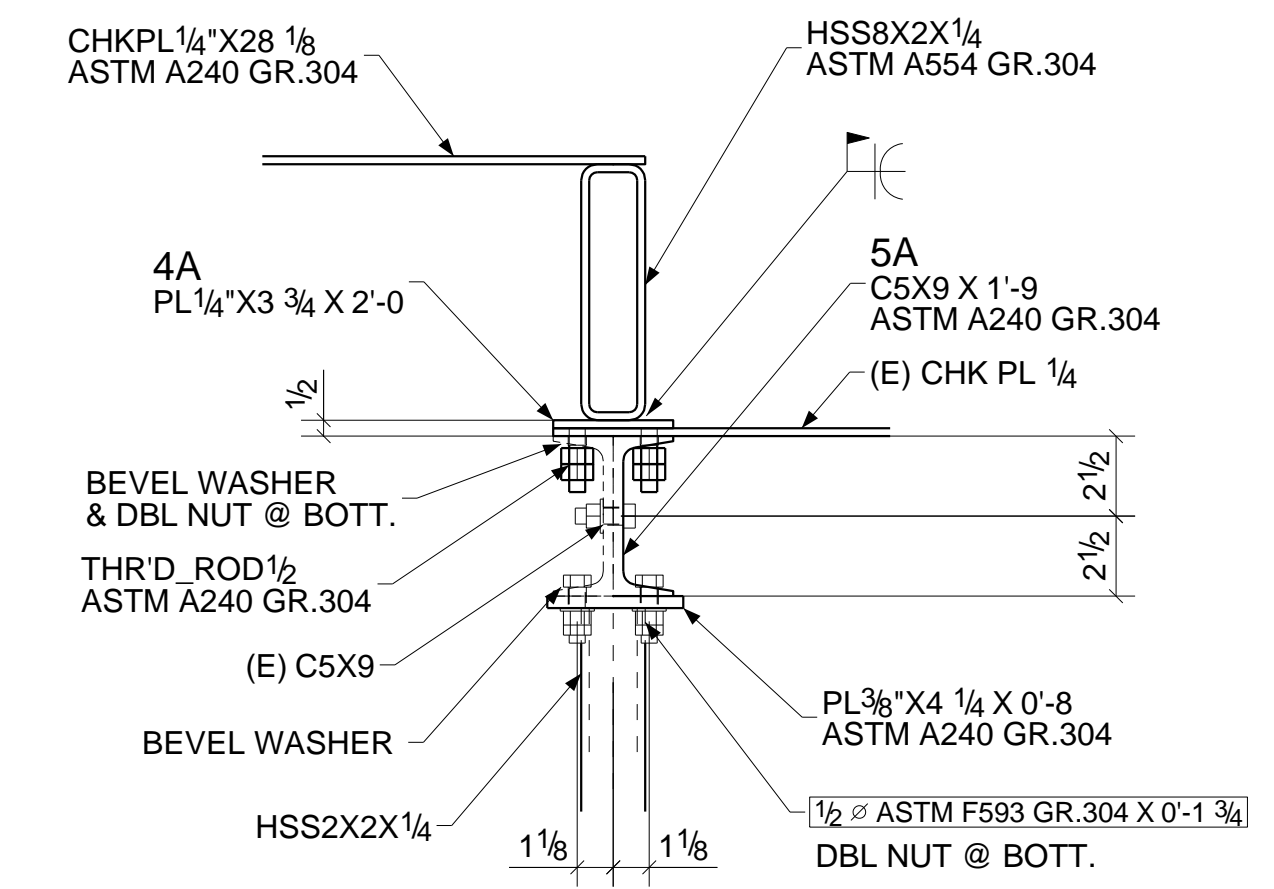
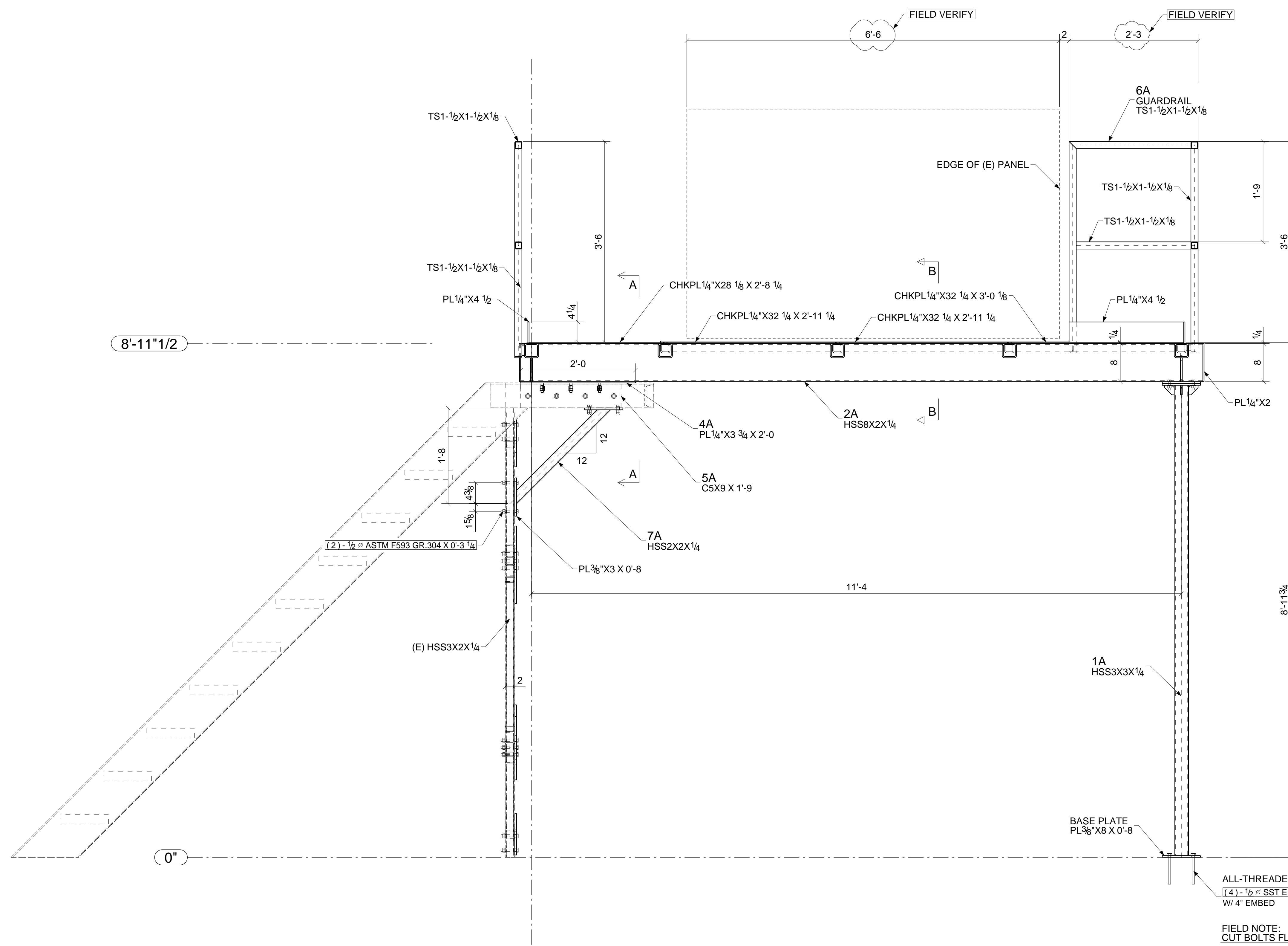
DWG:	MF	12/16/2021	QTY RECD:	SCALE:
CHK:	AS	12/22/2021	MATL:	

**PRIMER:**

TITLE: DL2 ACCESS PLATFORM EXTENSION  
 PROJECT ADD. DESCRIPTION: FRAMING PLAN (TOS EL 8'-11 1/4)

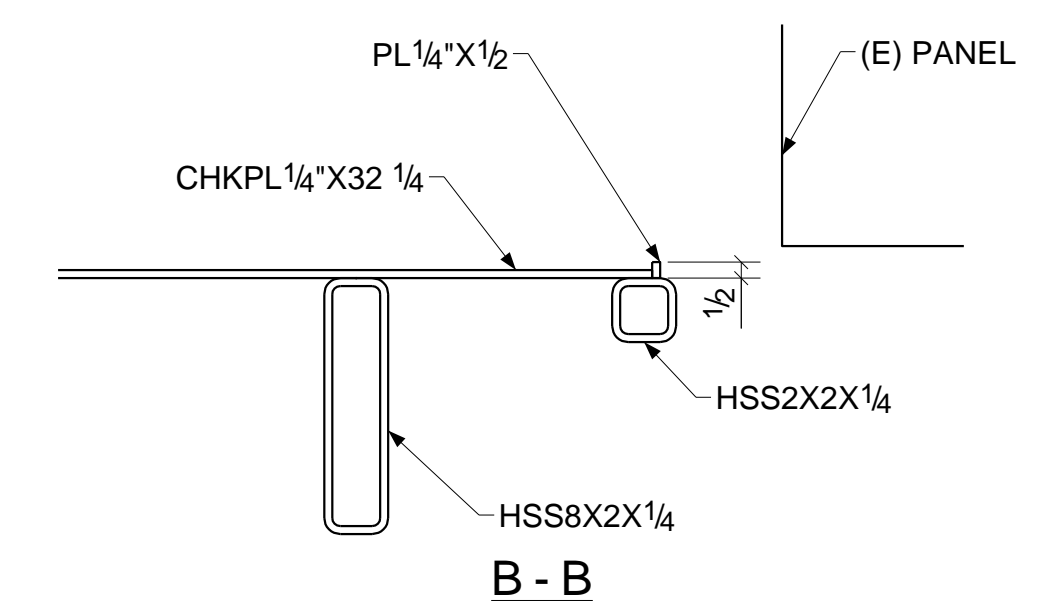
JOB No. 210468

SIZE: A	DWG NO: E2	SHT: 1	OF: 1	REV: 1
---------	------------	--------	-------	--------



FIELD NOTE:  
CUT BOLTS FLUSH WITH TOP OF NUTS

A - A



B - B

1 ELEVATION  
E3 (REF: 1/S-101 A/S-100)

ALL-THREADED HILTI HAS-R 318 GRADE 316 SS  
(4) - 1/2" SST EPOXY ANCHOR X 0-6"  
W/ 4" EMBED

FIELD NOTE:  
CUT BOLTS FLUSH WITH TOP OF NUTS

- Notes:
1. Welding Electrodes: E70XX Low Hydrogen
  2. Surface Prep: SSPC SP-2
  3. Shop Primer: Minimum DFT=2.0 Mil

THE INFORMATION CONTAINED IN THIS DRAWING IS CONFIDENTIAL AND PROPRIETARY TO MARTIN'S METAL FABRICATION. ANY REPRODUCTION IN PART OR WHOLE WITHOUT THE WRITTEN PERMISSION OF MARTIN'S METAL FABRICATION IS PROHIBITED.

NO.	BY	APP'D	DATE	DESCRIPTION
A			12/16/2021	For Approval
0			12/22/2021	For Field Use
1			01/04/2022	PER NEW DESIGN & APPROVAL

TOLERANCES ARE IN INCHES, UNLESS OTHERWISE SPECIFIED  
FRACTIONS: ± 1/16"  
DECIMALS:  
.XX ± .015  
.XXX ± .005  
.XXXX ± .0005  
ANGLES: ± 1°

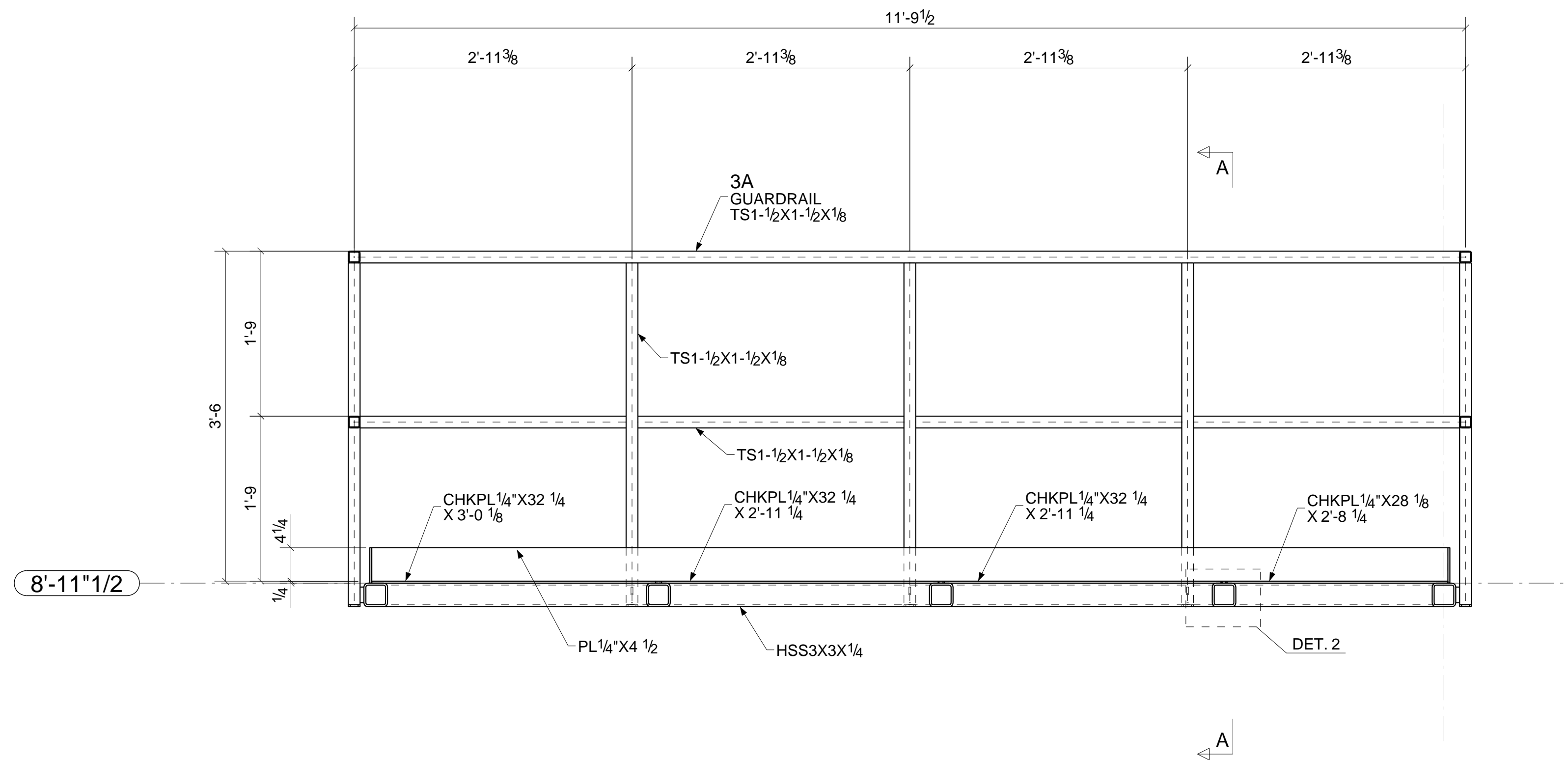
**MARTIN'S METAL FABRICATION**  
STRUCTURAL STEEL DIVISION  
VACAVILLE CA.

DWG:	MF	12/16/2021	QTY RECD	SCALE:
CHK:	AS	12/22/2021	MATL:	

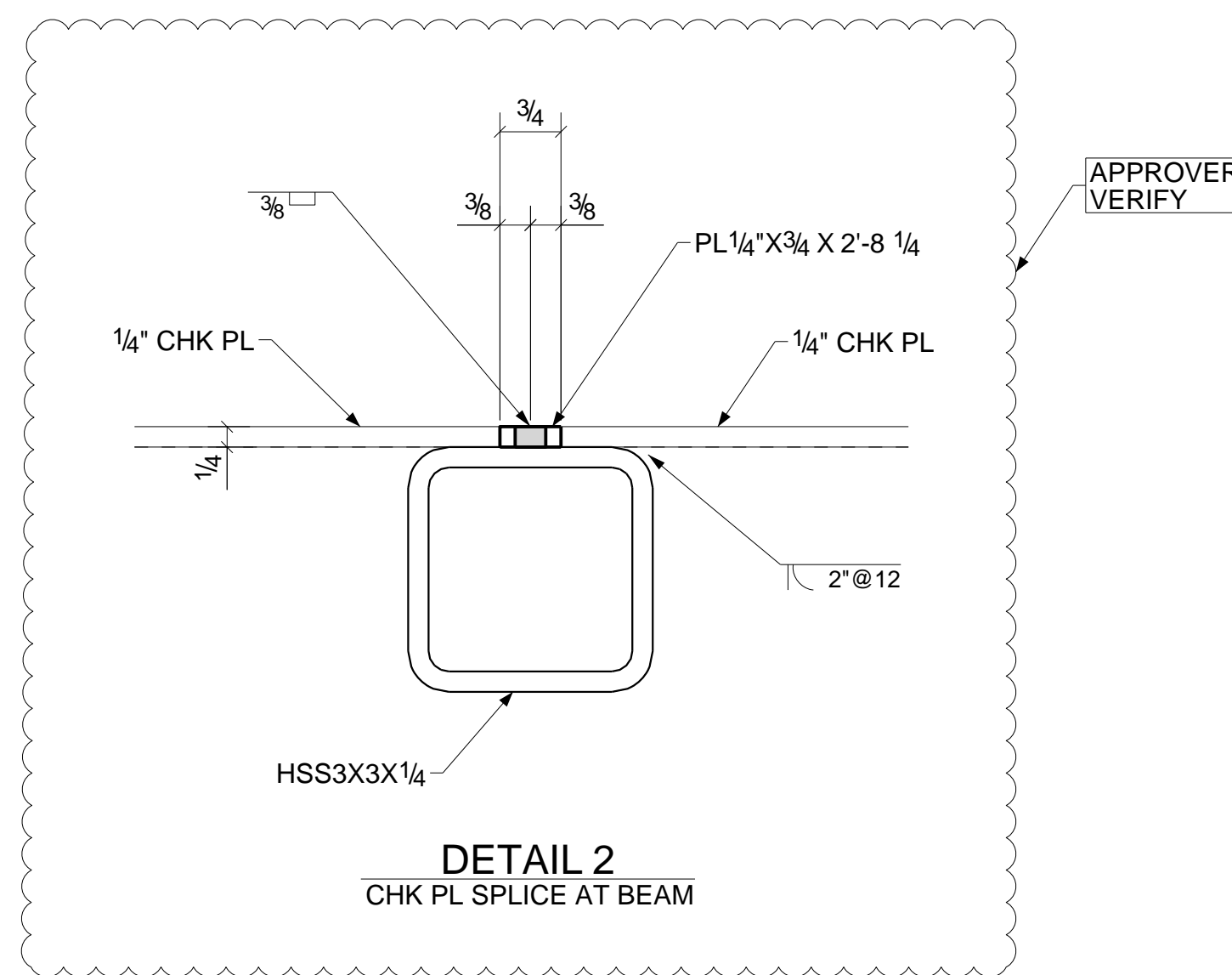
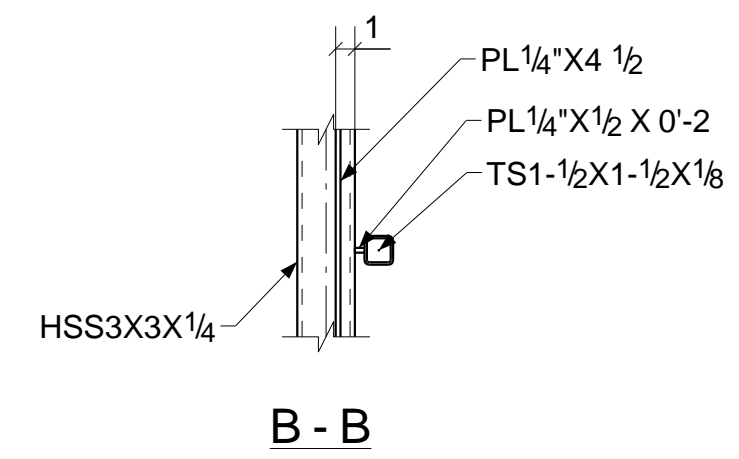
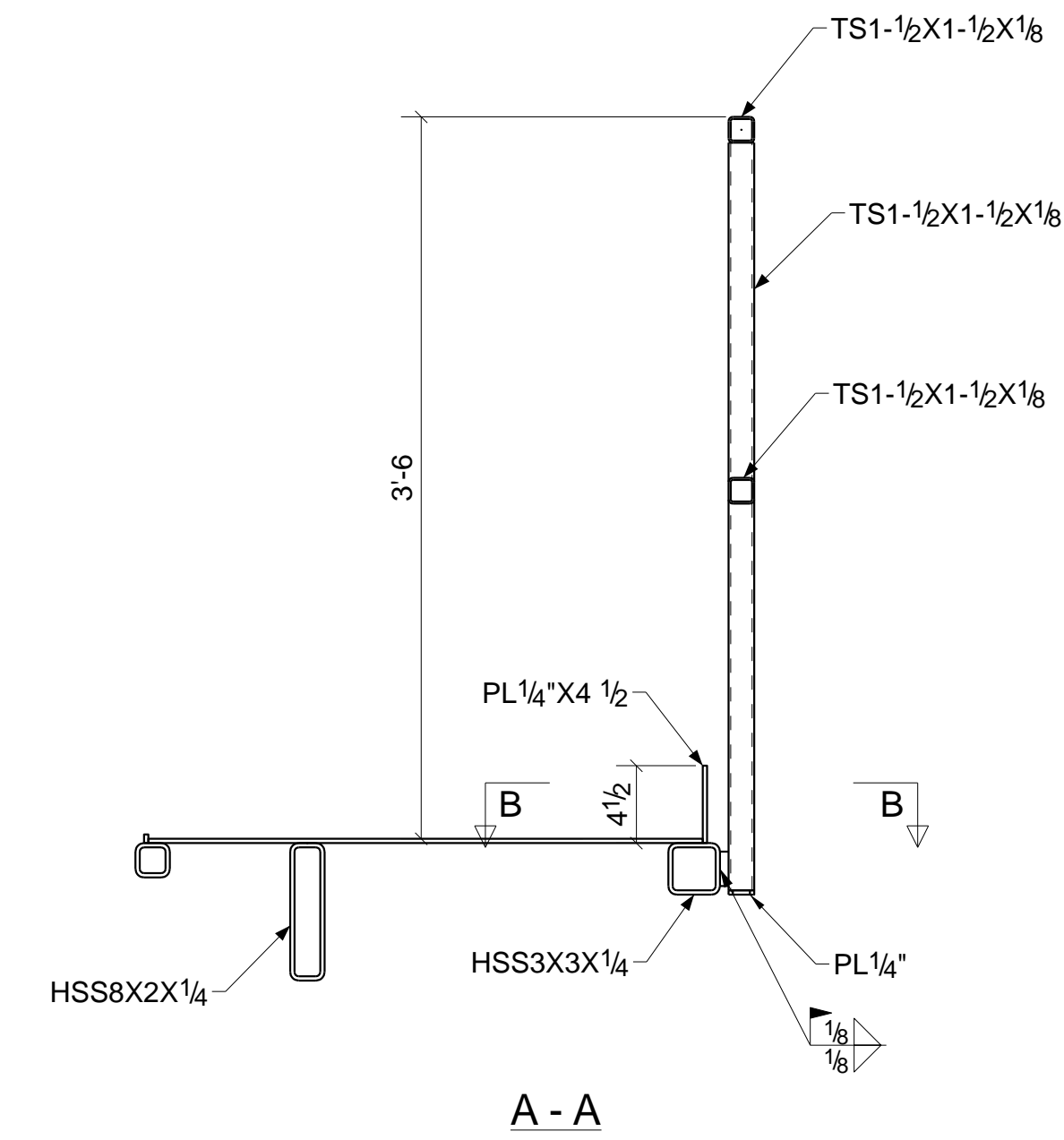
PRIMER:

TITLE: DL2 ACCESS PLATFORM EXTENSION  
PROJECT ADD. DESCRIPTION: ELEVATIONS

SIZE: A DWG NO: E3 JOB No. 210468  
SHT OF REV 1



1  
E4  
ELEVATION



APPROVER  
VERIFY

DETAIL 2  
CHK PL SPLICE AT BEAM

- Notes:
1. Welding Electrodes: E70XX Low Hydrogen
  2. Surface Prep: SSPC SP-2
  3. Shop Primer: Minimum DFT=2.0 Mil

THE INFORMATION CONTAINED IN THIS DRAWING IS CONFIDENTIAL AND PROPRIETARY TO MARTIN'S METAL FABRICATION. ANY REPRODUCTION IN PART OR WHOLE WITHOUT THE WRITTEN PERMISSION OF MARTIN'S METAL FABRICATION IS PROHIBITED.

NO.	BY	APP'D	DATE	DESCRIPTION
A			12/16/2021	For Approval
0			12/22/2021	For Field Use
1			01/04/2022	PER NEW DESIGN & APPROVAL

TOLERANCES ARE IN INCHES, UNLESS OTHERWISE SPECIFIED  
 FRACTIONS: ± 1/16"  
 DECIMALS:  
 .XX ± .015  
 .XXX ± .005  
 .XXXX ± .0005  
 ANGLES: ± 1°

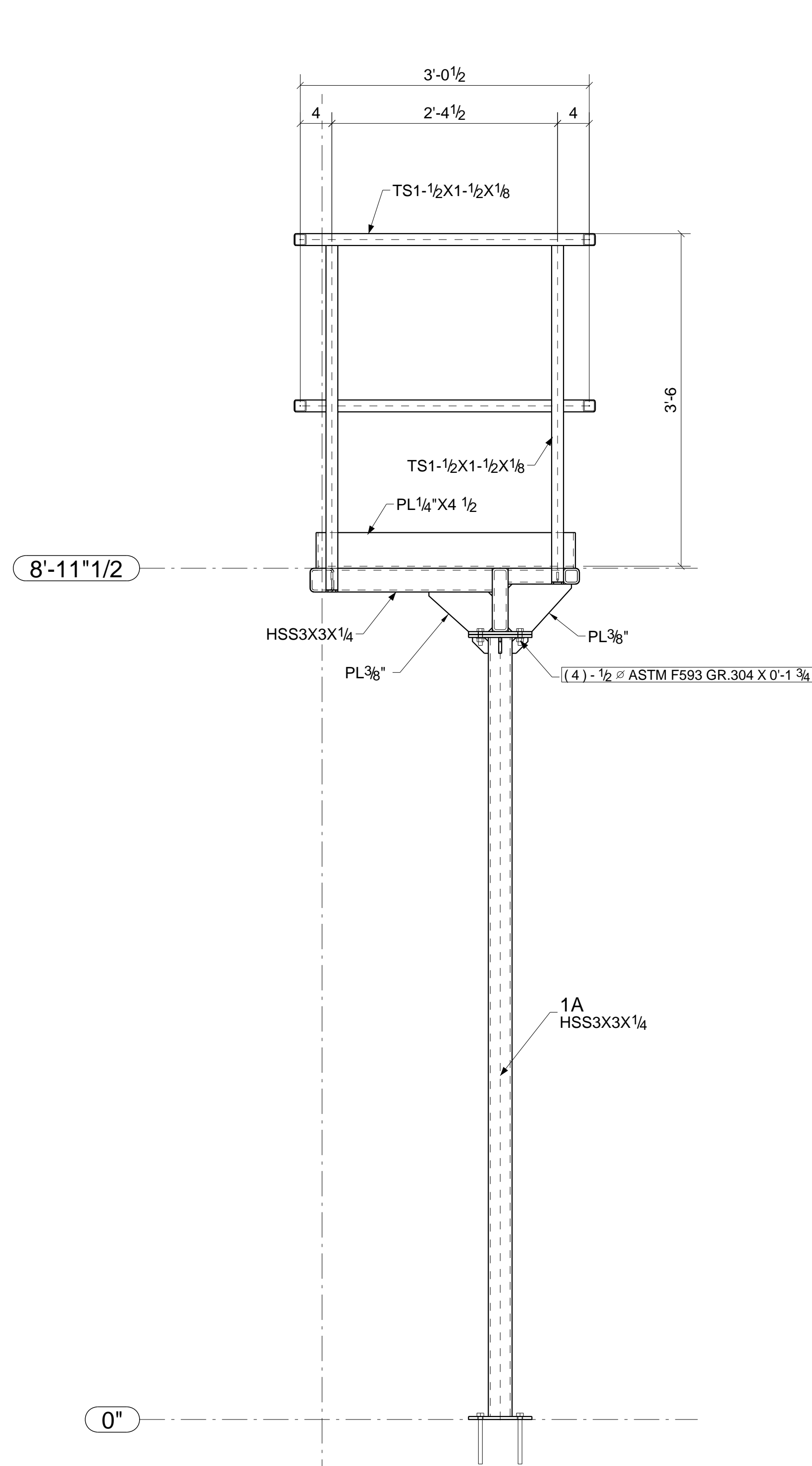
**MARTIN'S METAL FABRICATION**  
 STRUCTURAL STEEL DIVISION  
 VACAVILLE CA.

DWG:	MF	12/16/2021	QTY RECD:	SCALE:
CHK:	AS	12/22/2021	MATL:	

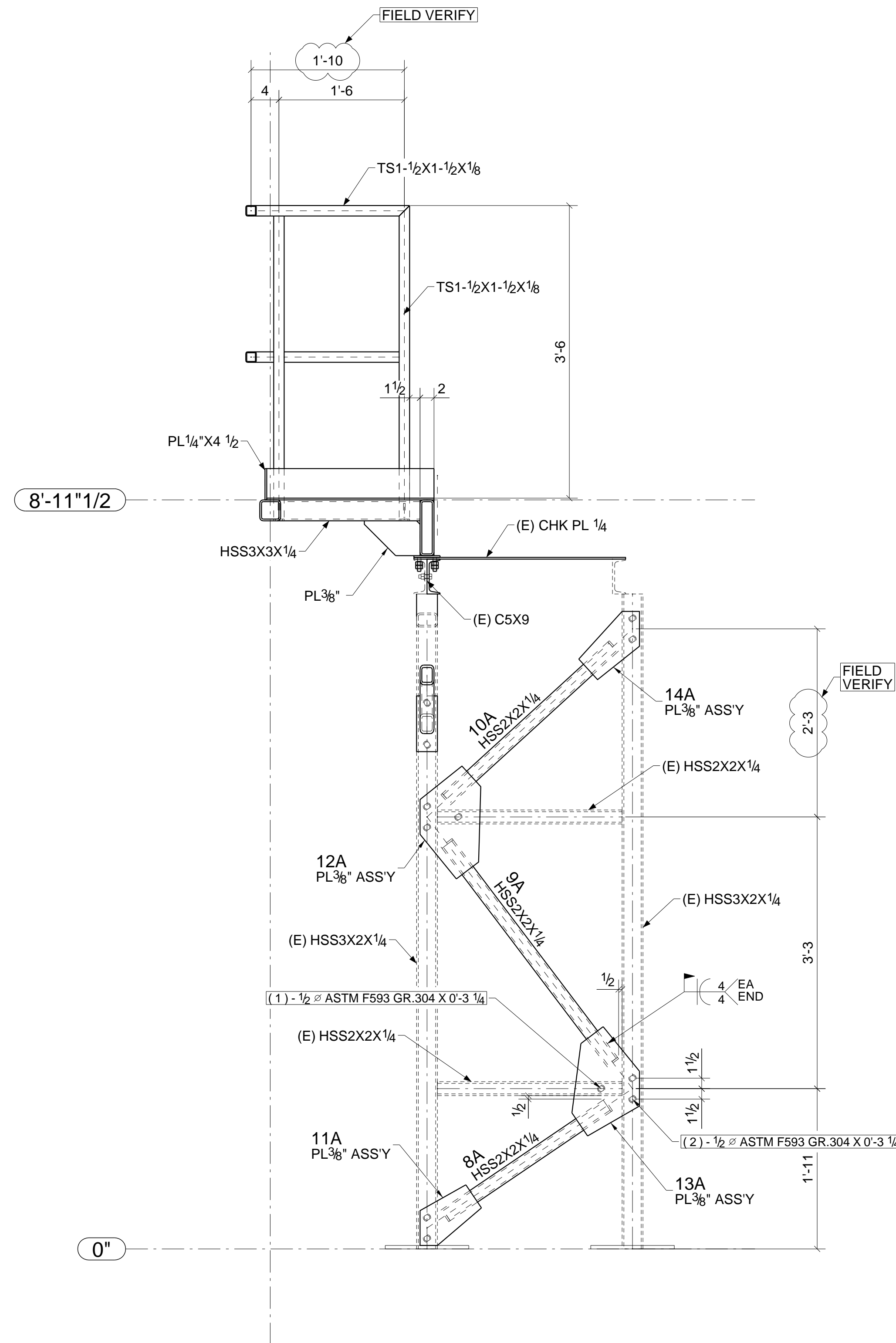
PRIMER:

TITLE: DL2 ACCESS PLATFORM EXTENSION  
 PROJECT ADD. DESCRIPTION: ELEVATIONS

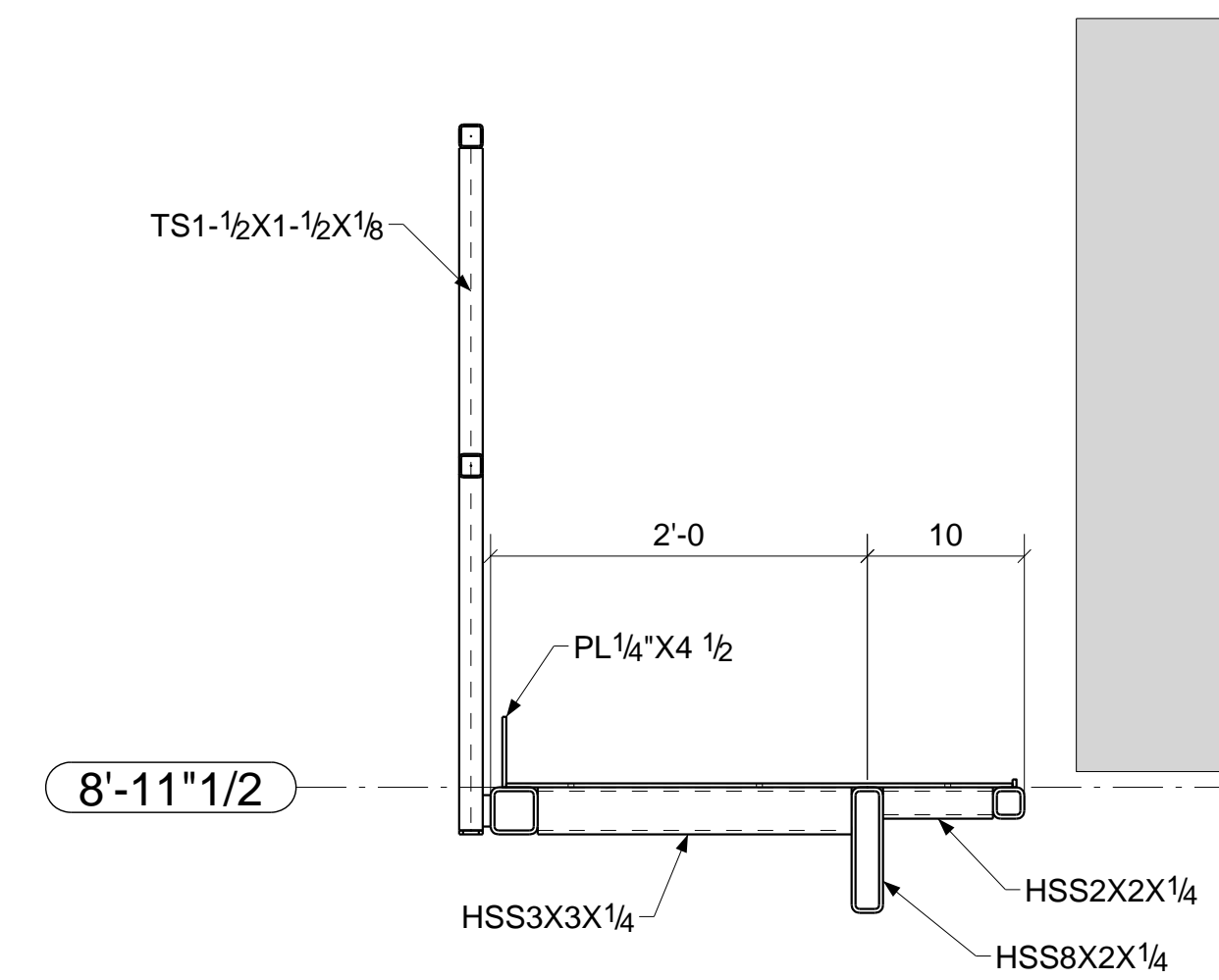
SIZE: A DWG NO: E4 JOB No. 210468  
 SHT OF REV 1



**1**  
E5 ELEVATION  
(REF: 4/S-101 D/S-100)



**2**  
E5 ELEVATION  
(REF: B/S-100)



**3**  
E5 ELEVATION  
(REF: C/S-100)

- Notes:**
1. Welding Electrodes: E70XX Low Hydrogen
  2. Surface Prep: SSPC SP-2
  3. Shop Primer: Minimum DFT=2.0 Mil

THE INFORMATION CONTAINED IN THIS DRAWING IS CONFIDENTIAL AND PROPRIETARY TO MARTIN'S METAL FABRICATION. ANY REPRODUCTION IN PART OR WHOLE WITHOUT THE WRITTEN PERMISSION OF MARTIN'S METAL FABRICATION IS PROHIBITED.

NO.	BY	APP'D	DATE	DESCRIPTION
A			12/16/2021	For Approval
0			12/22/2021	For Field Use
1			01/04/2022	PER NEW DESIGN & APPROVAL

TOLERANCES ARE IN INCHES, UNLESS OTHERWISE SPECIFIED  
 FRACTIONS: ± 1/16"  
 DECIMALS:  
 .XX ± .015  
 .XXX ± .005  
 .XXXX ± .0005  
 ANGLES: ± 1°

**MARTIN'S METAL FABRICATION**  
 STRUCTURAL STEEL DIVISION  
 VACAVILLE CA.

DWG:	MF	12/16/2021	QTY RECD:	SCALE:
CHK:	AS	12/22/2021	MATL:	

PRIMER:

TITLE:	DL2 ACCESS PLATFORM EXTENSION
PROJECT NAME:	DL2 ACCESS PLATFORM EXTENSION
PROJECT ADD. DESCRIPTION:	ELEVATIONS

JOB No. 210468

SIZE:	A	DWG NO.:	E5	SHT:	OF:	REV:	1
-------	---	----------	----	------	-----	------	---